

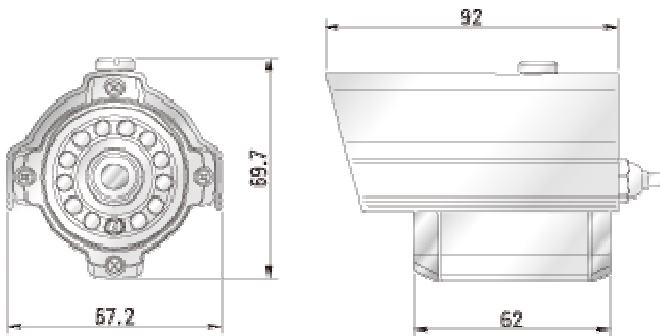
## WATER PROOF IR CAMERA

### OR-2144



- ▶ 6MM FIXED FOCAL AI LENS
- ▶ WATER-PROOF (IP67)
- ▶ STRONG ALUMINUM CASE (FOR OUTDOOR USE)
- ▶ AUTOMATICALLY LEDS ON/OFF BY LIGHTING
- ▶ BUILT-IN 20PCS OF IR LED
- ▶ EXTERNAL FUNCTION SWITCH. (FULL OSD)
- ▶ CAMERA ID(MAXIMUM LENGTH : 15 LETTERS), MIRROR, MOTION DETECTION(64 AREA), PRIVACY (4 PROGRAMMABLE ZONES / SIZE / COLOR), GAMMA (0.05~1.0 BY 0.05 STEP ADJUSTABLE), LANGUAGE (KOREAN, ENGLISH, JAPANESE, CHINESE)

MODEL	OR-2144
CCD TYPE	1/3" COLOR SONY HIGH SENSITIVITY CCD
PIXELS	410K
RESOLUTION	500TV-LINE
SYNC.TYPE	Internal
SCANNING	2:1 Interlace
VIDEO OUTPUT	1.0 V p-p (Sync.Negative) Termination 75Ω
r (GAMMA)	r=0.45 typ.(Adjustable)
MIN.ILLUMINATION	0 LUX(F/1.2)-LED ON - 10M RANGE
S/N RATIO	45dB or More (AGC OFF)
Lens Mount	Fixed focal Lens, 6mm
SHUTTER SPEED	1/60(1/50)~1/100,000sec
CURRENT CONSUMPTION	360mA MAX.(LED ON)
OPERATION TEMP.	-10°C~50°C
PRESERVATION TEMP.	-20°C~60°C
DIMENSION	67.2(W) X 69.7(H) X 92(D)mm

**DIMENSION****ORION TECHNOLOGY A/S (EUROPE)**

Hasselager Centervej 11  
8260 Viby J  
Denmark  
Tel: +45 8738 8640  
Fax: +45 8738 8647

**ORION TECHNOLOGY CO. LTD**

1242, Apo Industrial Zone, Kimcheon  
Kyung-Buk  
Korea  
Tel: +82 54 43 08 90 23  
Fax: +82 54 43 08 904

**ORION TECHNOLOGY USA**

1220 N.Kraemer Blvd, Anaheim  
CA 92806  
USA  
Tel: +1 71 46 30 33 80  
Fax: +1 71 46 30 23 35