

All-in-one CAMERA

OR-P400



● FEATURES

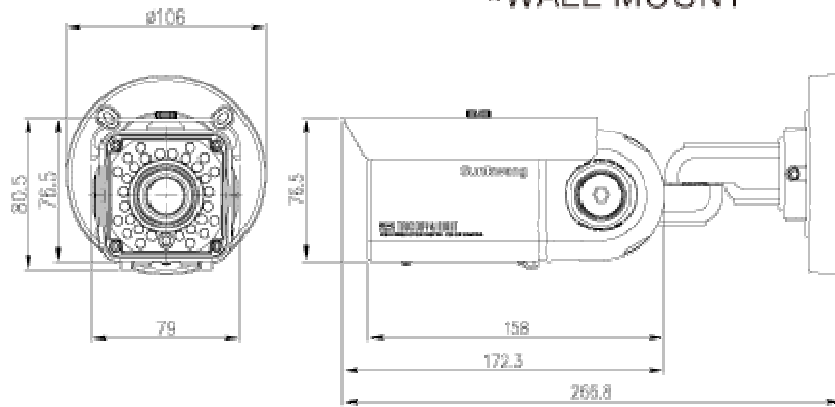
- 1/3" COLOR SONY SUPER HAD CCD
- 530TV-LINE(Color), 580TV-LINE(B/W)
- Split glass technology
- 2.8–12mm Vari-focal Auto Iris lens
- 3-Axis bracket (Wall & ceiling mount)
- DC12V power
- Extra video connector for easy installation
- Mechanical filter exchange (True Day & Night)
- IP65
- Semi OSD support, LED level adjustable

● SPECIFICATION

| | |
|--------------------|---|
| MODEL | OR-P400 |
| CCD TYPE | 1/3" COLOR SONY SUPER HAD CCD |
| PIXELS | 410K |
| SCANNING | 2:1 Interlace |
| SYNC.TYPE | Internal |
| RESOLUTION | COLOR: 530TV-LINE, B/W: 580TV-LINE |
| VIDEO OUTPUT | 1.0 V p-p (Sync.Negative) Termination $75\Omega \pm 10\%$ |
| S/N RATIO | 45dB or More (AGC OFF) |
| MIN.ILLUMINATION | 0Lux (40M RANGE) : IR LED ON 0.05Lux (F/1.2) : LED OFF |
| r (GAMMA) | r=0.45 typ. |
| WHITE BALANCE | ATW/AWB/FIXED/MANUAL |
| SHUTTER SPEED | 1/60(1/50)~1/100,000sec |
| POWER SUPPLY | Regulated 12V DC |
| CURRENT | Max.400mA |
| CONSUMPTION | |
| LENS MOUNT | Vari-focal Auto iris lens, 2.8 – 12mm |
| BLC | ON/OFF (64step,64area) |
| AGC HIGH | ON/OFF (256step), Turbo AGC |
| DAY&NIGHT | ICR(Auto.Color,BW) |
| FLICKERLESS | ON/OFF |
| OPERATION TEMP. | -20°C~50°C |
| PRESERVATION TEMP. | -20°C~60°C |
| DIMENSION | 79(W)X77(H)X172(D)mm |
| WEIGHT | Approx.1.2kg |

● DIMENSIONS

*WALL MOUNT



*CEILING MOUNT

