

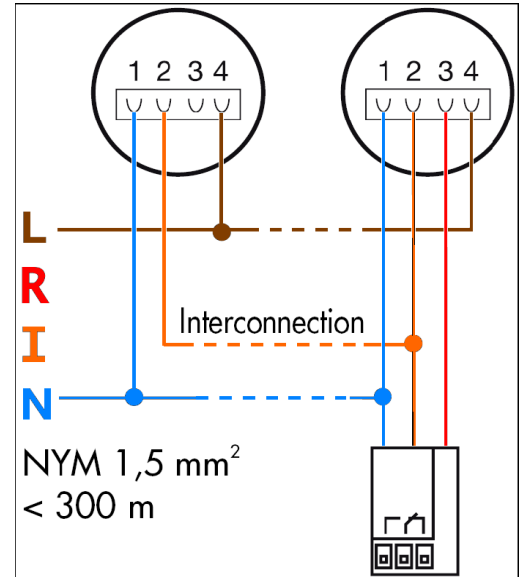
**ESYLUX**· Protektor K230 V ~ (Art.-No.: ER10018916)

The connection takes place with a 4-wired plug. For the mounting of the Protektor K the Protektor K surface mounting box (Art.no.ER10018992) or a flush mounting box is required.  
The cores used as follows:

Protektor K230V~	usage
blue	N neutral / - relais / - networking
orange	+ networking
red	+ relais ( permanent plus )
brown	L phase 230 V ~

**ESYLUX**· Protektor K relais ( Art. No. ER10018909 )

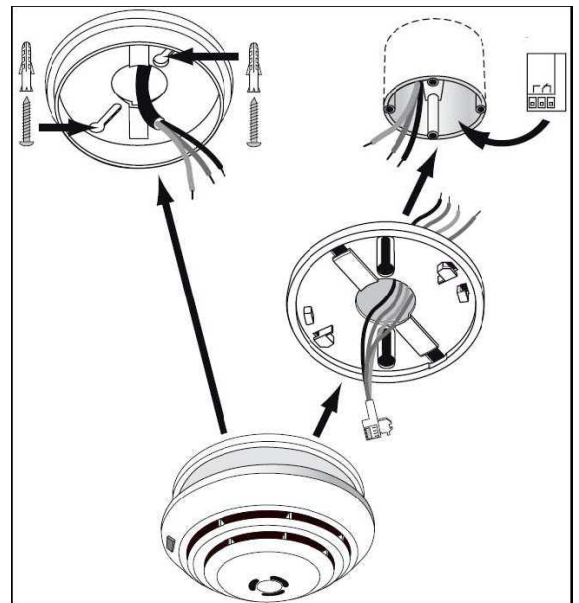
The relais will be connected to the smokedetector with 3 cores. The cores of the relais have got the same colours like the smokedetector. The red core " + relais " has got permanent +9V. The relais will be activated via "+ networking".



For the housing of the relais a **separate** surface mounting box or a flush mounting has to be used. The relais **does not** fit into the Protektor K surface mounting box.

Normaly the relais is not needed in the middle of the ceiling. It can also be mounted in the place were the contact is needed. Normaly it is possible here to install an additional connectionbox. The connection to the smokedetector has to be made to this place anyway.

The protektor relais (Art.no.:RK43100004698) is **not** compatible to the Protektor K 230 V~



## Information regarding productnorm for smokedetectors DIN EN 14604 and CE-certification

At 01.08.2008 the productnorm for smokedetectors DIN EN 14604 became effectiv, after a period of coexistens with older norms. Detectors certified according other or older norms ( e.g.: prEN12239 ) are not allowed to sell anymore.

### All our smokedetectors are certified according DIN EN 14604

Together with the EN 14604 a new certification procedure became effectiv. A notified instance ( in our case VdS ) the production observed and so called CPD-No. is assigned. The products and corresponding manuals have to be marked accordingly.

### All our smokedetectors are certified according CPD

Excmple for our productlabel **ESYLUX**· Protektor K230V~

VdS - term

CPD - No.  
0786=notified instance:VdS  
20471=approval no. for  
Protektor K 230 V~

VdS-no.

Product-norm  
(05=year of the norm)

Productcode:  
6431 internal code for the production facility  
0915 production date 2009 week 15  
A Productversion  
018916 last 6 numbers of the art. no.

manufacturer

recommended battery

Inspection-instruction and date of expiry

It is only possible to accomplish the smoke-detector commitment with smoke-detectors according to DIN EN 14604 and a corresponding CPD-certification.

**With all our smokedetectors it is possible to accomplish the smoke-detector commitment**